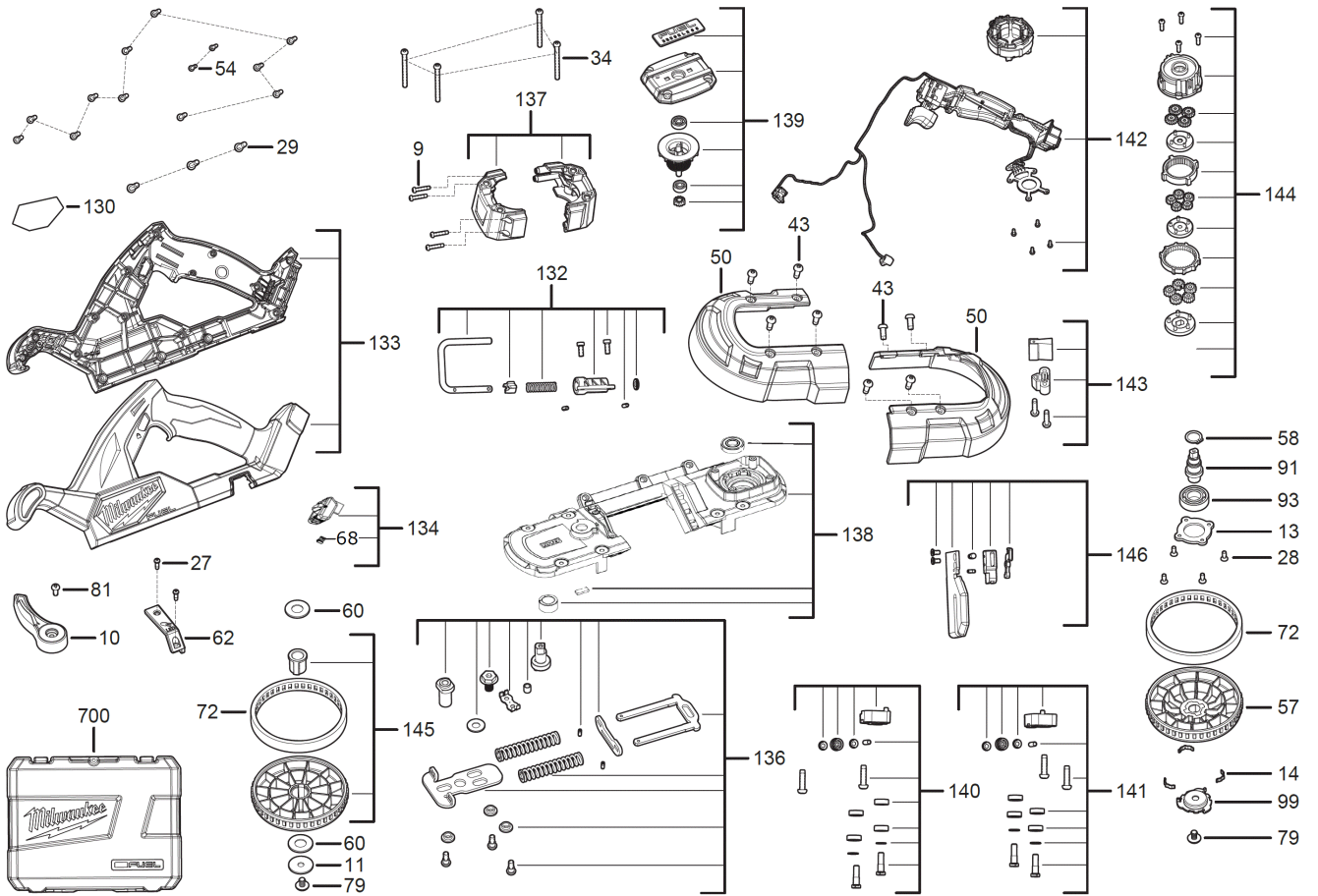


M18FBS85-0C COMP. BAND SAW BARE KIT XXX

4933471496 - M18FBS85-0C - 4000497012





Position	Quantity	Description	Part number	EAN
0009 1	4	SCREW	660230017	4002395839742
0010 2	1	TENSION LEVER	4931472747	4058546330491
0011 3	1	WASHER	Item discontinued(633266001)	
0013 4	1	PLATE	4931472748	4058546330507
0014 5	3	SPRING PLATE	4931472749	4058546330514
0027 6	2	SCREW	Item discontinued(661414002)	
0028 7	4	SCREW	4931472750	4058546330521
0029 8	3	SCREW	4931465543	4058546236434
0034 9	4	SCREW	4931436424	4002395248926
0043 10	8	SCREW TORX SCREW	06825314	4002395851935
0050 11	1	GUARD	4931494471	4058546470432
0054 12	2	SCREW	4931465499	4058546235994
0057 13	1	PULLEY	4931472753	4058546330552
0058 14	1	SNAP RING	4931472754	4058546330569
0060 15	2	WASHER	Item discontinued(560189001)	
0062 16	1	HOLDING BRACKET	4931472755	4058546330576
0068 17	1	PUSH-BUTTON	4931435337	4002395892945
0072 18	2	PLANET WHEEL	4931472756	4058546330583
0079 19	2	SCREW	661299001	4002395829804
0081 20	1	SCREW	4931472757	4058546330590
0091 21	1	SHAFT	4931472758	4058546330606
0093 22	1	BALL BEARING	4931472759	4058546330613
0099 23	1	WASHER	4931472761	4058546330637
0130 24	1	RATING PLATE	4931494678	4058546472504
0132 25	1	HOOK	4931472763	4058546330651
0133 26	1	HANDLE SHELLS	4931494679	4058546472511
0134 27	1	LOCK	4931494680	4058546472528
0136 28	1	TENSIONING DEVICE	4931472766	4058546330682
0137 29	1	HOUSING SET ASSY	4931472767	4058546330699
0138 30	1	BEARING END PLATE	4931480431	4058546424466
0139 31	1	MOTOR ASSEMBLY	4931472769	4058546330712
0140 32	1	STEERING PULLEY	4931472770	4058546330729
0141 33	1	STEERING PULLEY	4931472771	4058546330736
0142 34	1	ELECTRONIC	4931472772	4058546330743
0143 35	1	STEEL WIRE BRUSH	4931472773	4058546330750
0144 36	1	GEAR BOX	4931472774	4058546330767
0145 37	1	PULLEY	4931472775	4058546330774
0146 38	1	GUIDE SHOE	4931480432	4058546424473
0700 39	1	CARRYING CASE	4931472777	4058546330798